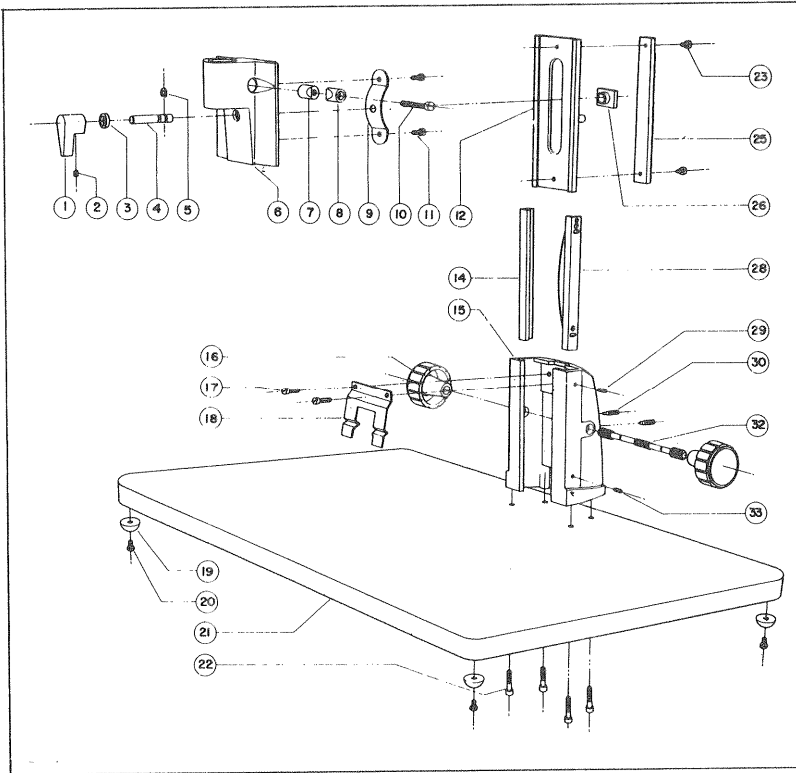


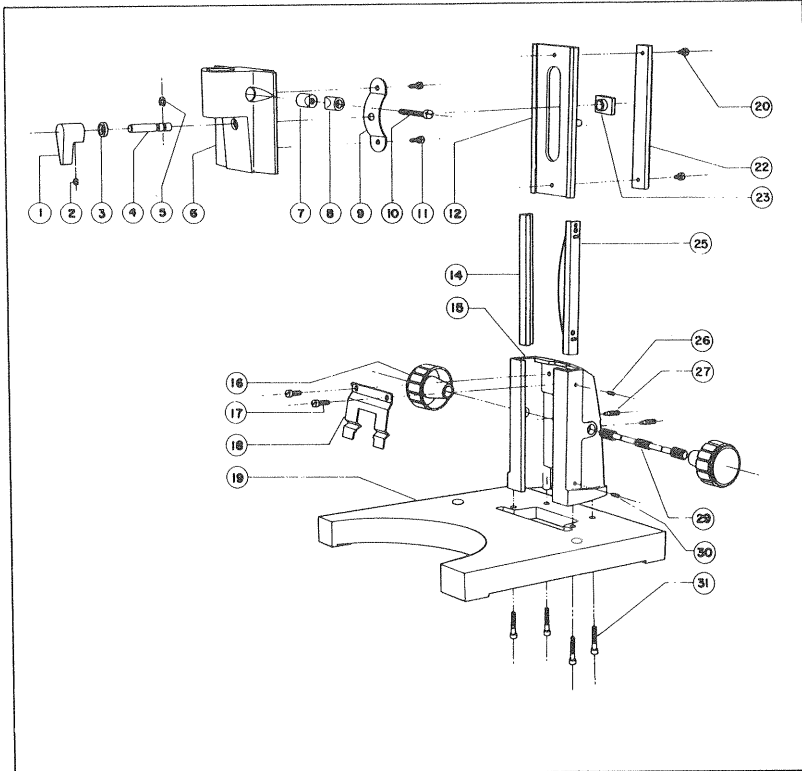
# KT Stand, Cat. No. 31-26-65

## K Stand, Cat. No. 31-26-95



### KT STAND CAT. NO. 31-26-65

Key	Description	Part No.	
1	Knob	312695-143ND	
3	F-279 Washer	90008-321	
4	Clamp Stud	312695-103	
5	Tru Arc Retainer	312695-111ND	
6	Joint Support	312695-148	
7	Clamp Shoe A	312690-143	
8	Clamp Shoe B	312690-144	
9	Friction Spring	312695-105	
10	10-32 x 3/4 lg Screw	312697-200ND	
11	SF-81 Screw (2)	90049-118	
12	Slide & Pin Assy	312695-144	
14	Gib	312688-192	
15	Upright	312695-149	
16	Knob Assy	312697-198	
17	8-36 x 1/4 lg Screw	312688-184	
18	Spring (Pinion)	312688-153	
19	Rubber Bumper	312665-103ND	
20	6-32 x 1/2 Self Tap Screw	312665-104ND	
21	Base	312665-101	
22	8-36 x 3/4 lg Screw	312695-142ND	
23	SF-83 Screw	90049-120	
25	Rack	312695-107	
26	Clamp Shoe	312695-140	
28	Gib	Assembled as unit	312688-192
	Spring		312688-193
	Rivet		311850-171
29	Gib Screw	312688-198	
30	Gib Screw B	312688-178	
32	Pinion	312688-187	
33	Gib Screw	312688-198	



### K STAND CAT. NO. 31-26-95

Key	Description	Part No.	
1	Knob	312695-143ND	
3	F-279 Washer	90008-321	
4	Clamp Stud	312695-103	
5	Tru Arc Retainer	312695-111ND	
6	Joint Support	312695-148	
7	Clamp Shoe A	312690-143	
8	Clamp Shoe B	312690-144	
9	Friction Spring	312695-105	
10	10-32 x 3/4 lg Screw	312697-200ND	
11	SF-81 Screw (2)	90049-118	
12	Slide & Pin Assy	312695-144	
14	Gib	312688-192	
15	Upright	312695-149	
16	Knob Assy	312697-198	
17	8-36 x 1/4 lg Screw	312688-184ND	
18	Spring (Pinion)	312688-153	
19	Base	312695-134	
20	SF-83 Screw	90049-120	
22	Rack	312695-107	
23	Clamp Shoe	312695-140	
25	Gib	Assembled as unit	312688-192
	Spring		312688-193
	Rivet		311850-171
26	Gib Screw	312688-198	
27	Gib Screw B	312688-178	
29	Pinion	312688-187	
30	Gib Screw	312688-198	
31	8-36 x 3/4 lg Screw	312695-142ND	