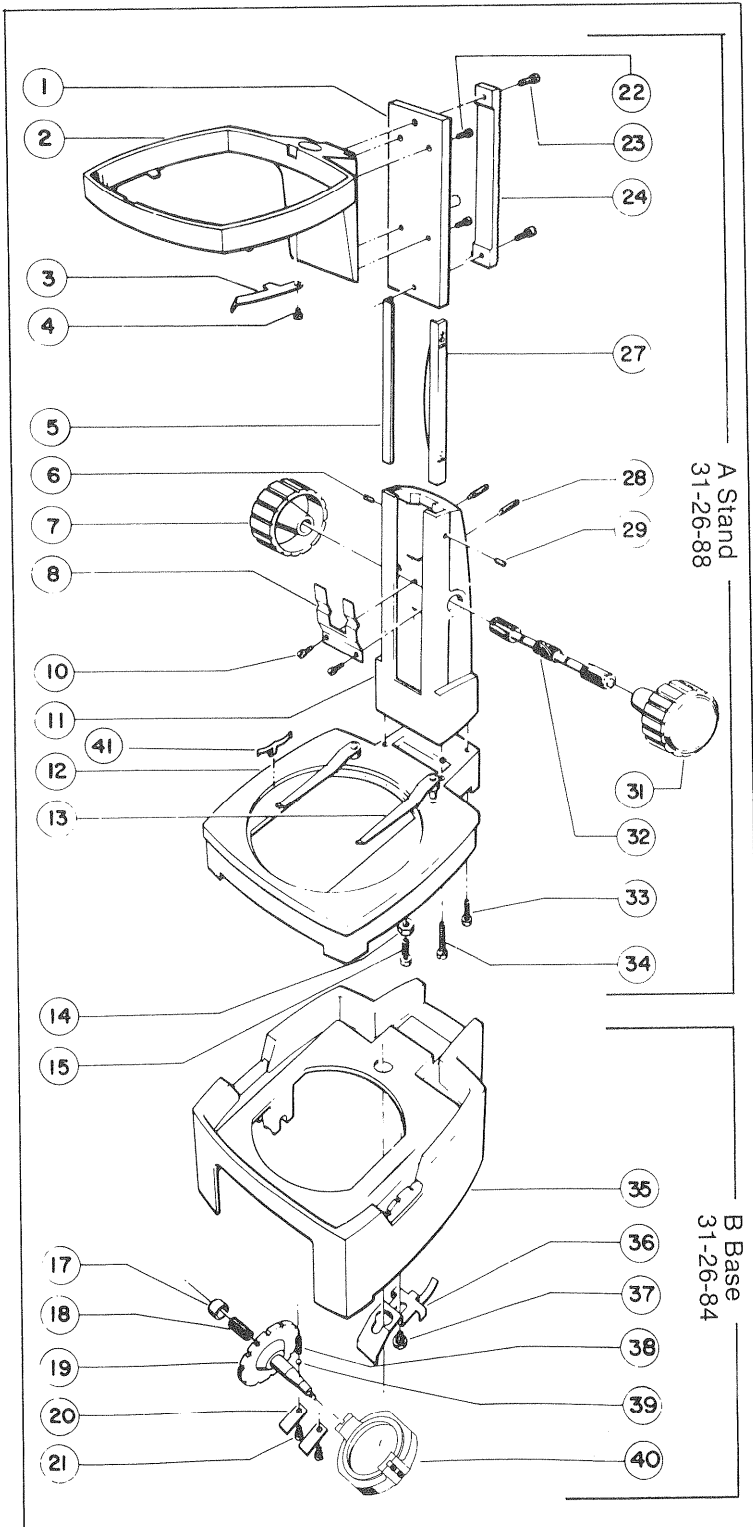


A and B Stands

A Stand, Cat. No. 31-26-88 with B Base, Cat. No. 31-26-84



Key	Description	Part No.
1	Slide & Pin Assy	312688-188
2	Arm	312688-201
3	Lock Lever (left)	312688-121
	Lock Lever (right) not exploded	312688-122
4	SD-119 Screw	90047-182
5	Gib	312688-192
6	8-36 x 1/4 lg Set Screw	312688-198
7	Knob Assy	312697-198
8	Spring	312688-153
10	8-36 x 1/4 lg Screw	312688-184ND
11	Upright	312688-200
12	Base	312688-199
13	Spring Clip	31-27-30
14	8-32 Hex. Nut	312688-103ND
15	SF-80 Screw	90049-117
17	Spring Cap	312684-104
18	Spring	312684-105
19	Mirror Axle	312684-121
20	Shaft Retainer A	312684-113
21	8-32 Self-Tap Screw	312684-125ND
22	8-32 FT10 Screw	97206-0807
23	F-83 Screw	90049-120
24	Rack	312688-109
27	Gib	312688-192
	Spring	312688-193
	Rivet	311850-171
	Assembled as unit	
28	Gib Screw B	312688-178
29	Set Screw	312688-198
31	Knob Assy	312697-198
32	Pinion	312688-187
33	8-36 x 7/16 lg Screw	312688-185ND
34	8-36 x 15/16 lg Screw	312688-183ND
35	Base	312684-128
36	Base Lock	312684-106
37	SF-79 Screw	90049-116 & 90008-8
38	Ball Spring	312684-111
39	Pad B	312694-105
40	Mirror Assy	312732-910
41	Stage Plate Spring	312688-174