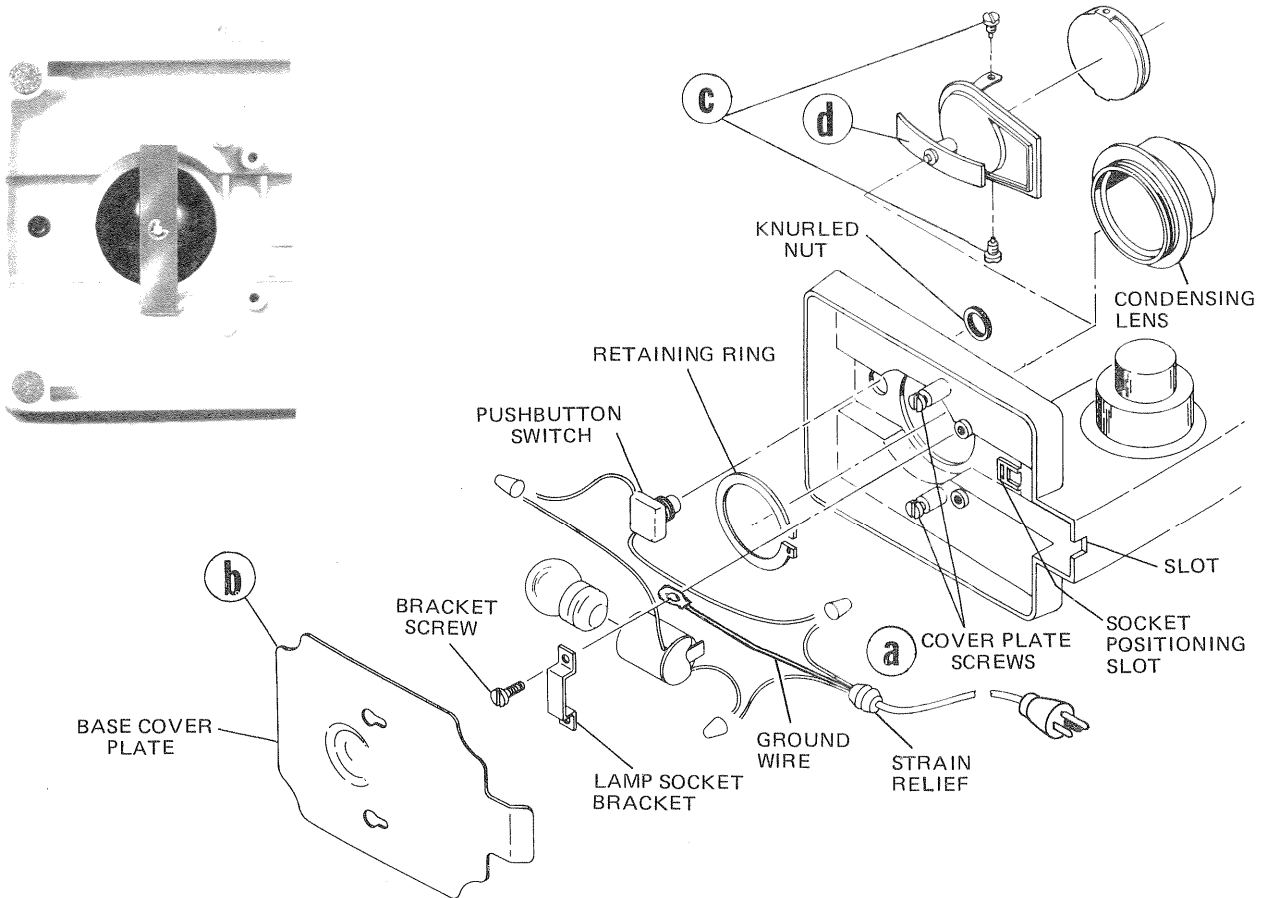


Figure 9. Stage and Mirror Assemblies

Index No.	Part No.	Description	Qty
	Cat. No. 1570A	Stage Assembly with Condenser	1
1	1570-2	Stage	1
2	X-30750-2	Screw	2
3	60-24	Bushing, stage clip	2
4	X-16090	Washer	2
5	X-36090	Screw	2
6	60-25	Clip, stage	2
7	227-4	Gasket	1
8	227-602	Window	1
9	227-2	Diaphragm	1
10	227-601	Condenser	1
11	X-50878	Ring, retaining	1
12	220-5	Washer	2
13	220-3	Spring, index	1
14	X-38827-2	Screw	2
15	220-1	Disc, diaphragm	1
16	X-50695	Washer, spring	1
17	220-4	Screw	1
	Cat No. 217A	Plano-Concave Mirror Assembly, complete	1
1	217-851	Mirror, Plano-concave, mounted in frame	1
2	205-5	Pin	1
3	205-3	Fork	1
4	205-4	Screw, pivot	2
5	205-2	Mount	1
6	205-6	Spring	1
7	B-3801-59	Ring, retaining	1



### In-Base Illuminator, Model 614A

The 614A Illuminator consists of a 115 volt, 15 watt bulb, condensing lens with built-in blue glass filter and a convenient push button switch.

To mount the illuminator:

1. Place condensing lens assembly on top of microscope base and hold in place from below using the 632-6 retaining ring.
2. Insert the metal post at rear of lamp socket into the positioning slot in microscope base. The socket is held in place by a metal bracket and two self-threading screws.
3. Mount the push button switch in the small hole located at top front of base. Unscrew knurled nut, push switch through hole from underside of base and replace knurled nut.
4. Place strain relief of power cord into slot at rear of base. Attach ground wire as shown.
5. Attach the one-piece base cover plate and chromed reflector and plug directly into any standard 110-115 volt outlet.

### CAUTION

**To replace lamp bulb: DISCONNECT CORD FROM OUTLET.** Carefully place the microscope on its side, remove screws (a) and base cover plate (b), unscrew bulb. For maximum efficiency always replace with same type bulb (manufacturer's designation, 15S11/102) available at any electrical retail outlet.

### Mirror Assemblies, Models 205, 217A

To increase vertical tilting tension of the mirror: remove screws (c) and mirror . . . bend fork inward uniformly as required with fingertips and reassemble.

To remove entire mirror assembly from the microscope base: carefully place the microscope on its side, retain a firm grip on the instrument, flex *ends* of flat stock mirror spring (d) outward . . . rotate it 90 degrees and withdraw the assembly. Reverse steps to insert.

## WARRANTY

For 1 year from the date of purchase by the end-user, American Optical will repair or replace, at its option, this product for shipping charges only, if defective in workmanship or material. Contact your ordering dealer for instructions and furnish original invoice information.

This warranty does not apply if the product has been misused in any way, or has been altered or repaired by other than an authorized American Optical Representative.

*THIS WARRANTY IS IN LIEU OF ALL OTHER WARRANTIES IMPLIED OR EXPRESSED. ALL IMPLIED WARRANTIES OF MERCHANTABILITY OR FITNESS FOR A PARTICULAR PURPOSE ARE HEREBY DISCLAIMED.*

No one is authorized to make any obligations for American Optical not in accordance with the above. American Optical shall under no circumstances be liable for special, incidental or consequential damages from any negligence, breach of warranty, strict liability or any other theory arising out of or relating to the design, manufacture, use or handling of the product.

## CLAIMS AND RETURNS

If discrepancies are discovered, an immediate report should be made to the customer's ordering point referring to the packing list number. All packing should be carefully examined to insure that no small items are overlooked. Claims for loss or damage in transit should be made directly to the transportation company.

If, upon delivery, the outside of the packing case shows evidence of rough handling or damage, the transportation company's agent should be requested to make a "Received in Bad Order" notation on the delivery receipt. If there is no exterior evidence of rough handling upon delivery, but concealed damage is evident upon unpacking the shipment within 48 hours of delivery, the transportation company should be requested to make out a "Bad Order" report. This procedure is necessary in order to maintain the right of recovery from the carrier.

Customers are requested to contact their ordering dealer for permission to return any goods for any reason. The request should indicate the date and number of the invoice, or packing list. If arrangements are made for a return, the material should be plainly tagged with the customer's name and address, carefully packed and shipped PREPAID.

## PRODUCT CHANGES

American Optical Corporation reserves the right to change designs or to make additions to or improvements in its products without imposing any obligation on itself to add such to products previously manufactured.

The equipment supplied may not agree in all details with our description or illustrations because instruments are subject to modification and improvement.

## SERVICE

Repairs should be performed only by qualified service personnel. Complete repair facilities are available at many AO authorized dealers, and AO Technical Service Centers in Buffalo, N.Y., Rosemont, Ill., No. Hollywood, Calif., Edison, N.J., and Dallas, Texas.

**AO**<sup>®</sup> American Optical

INSTRUMENT DIVISION  
BOX 123. BUFFALO. NY 14240