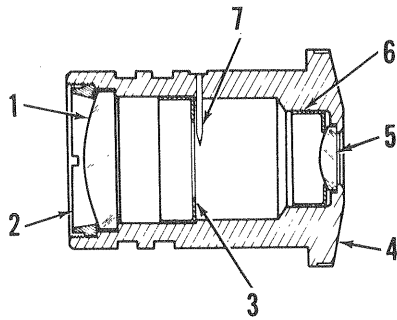
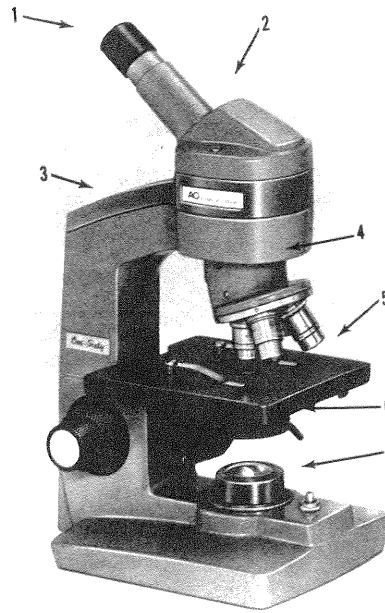
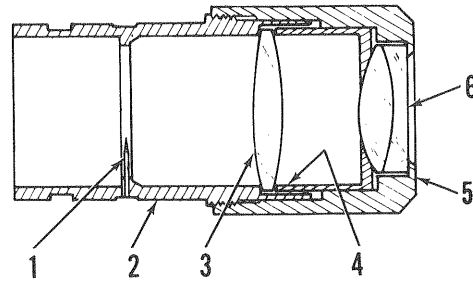


Index No.	Description	Figure	Page
1	Eyepieces	2	16
2	Monocular Body	3	17
3	Stand	4	18
4	Nosepiece and Sleeve	5	20
5	Stage	7	22
		8	24
		9	26
		8	24
6	Iris Mount and Condensers	6	21
		9	26
7	Illuminator Mirror Assembly	6	21
		9	26



Cat. No. 139 10X Huygenian Eyepiece  
with Pointer



Cat. No. 138 10X Wide Field Eyepiece  
with Pointer

Figure 2. Eyepieces

Index No.	Part No.	Description	Qty
	Cat. No. 139	10X Huygenian Eyepiece with Pointer	
1	163-601	Field Lens	1
2	163-3	Retainer	1
3	139-12	Diaphragm	1
4	139-11	Body	1
5	139-605	Front Lens	1
6	139-13	Retainer	1
7	160-50	Pointer	1
	Cat. No. 138	10X Wide Field Eyepiece with Pointer	
1	164-4	Pointer	1
2	138-8	Tube	1
3	63-613	Eyepiece Crown	1
4	138-10	Separator	1
5	138-9	Cap	1
6	63-705	Eyepiece Doublet	1

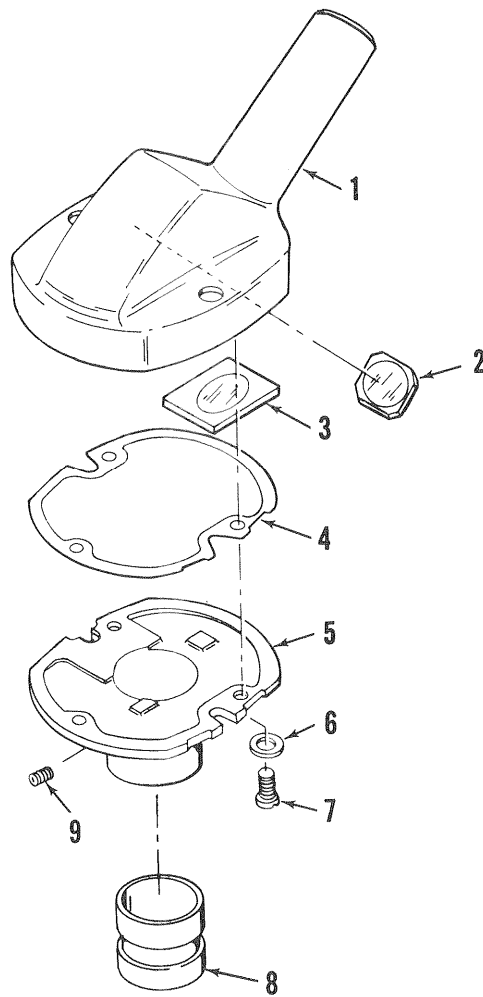


Figure 3. Monocular Body Assembly

Index No.	Part No.	Description	Qty
	Cat. No. 76	Monocular Body	
1	60-396	Body	1
2	60-613	Mirror, top	1
3	60-609	Mirror, lower	1
4	60-270	Seal, body	1
5	60-271	Plate	1
6	X-51616	Washer	3
7	60-57	Screw	3
8	60-856	Telescope Cell Assembly	1
9	X-25706	Screw	1

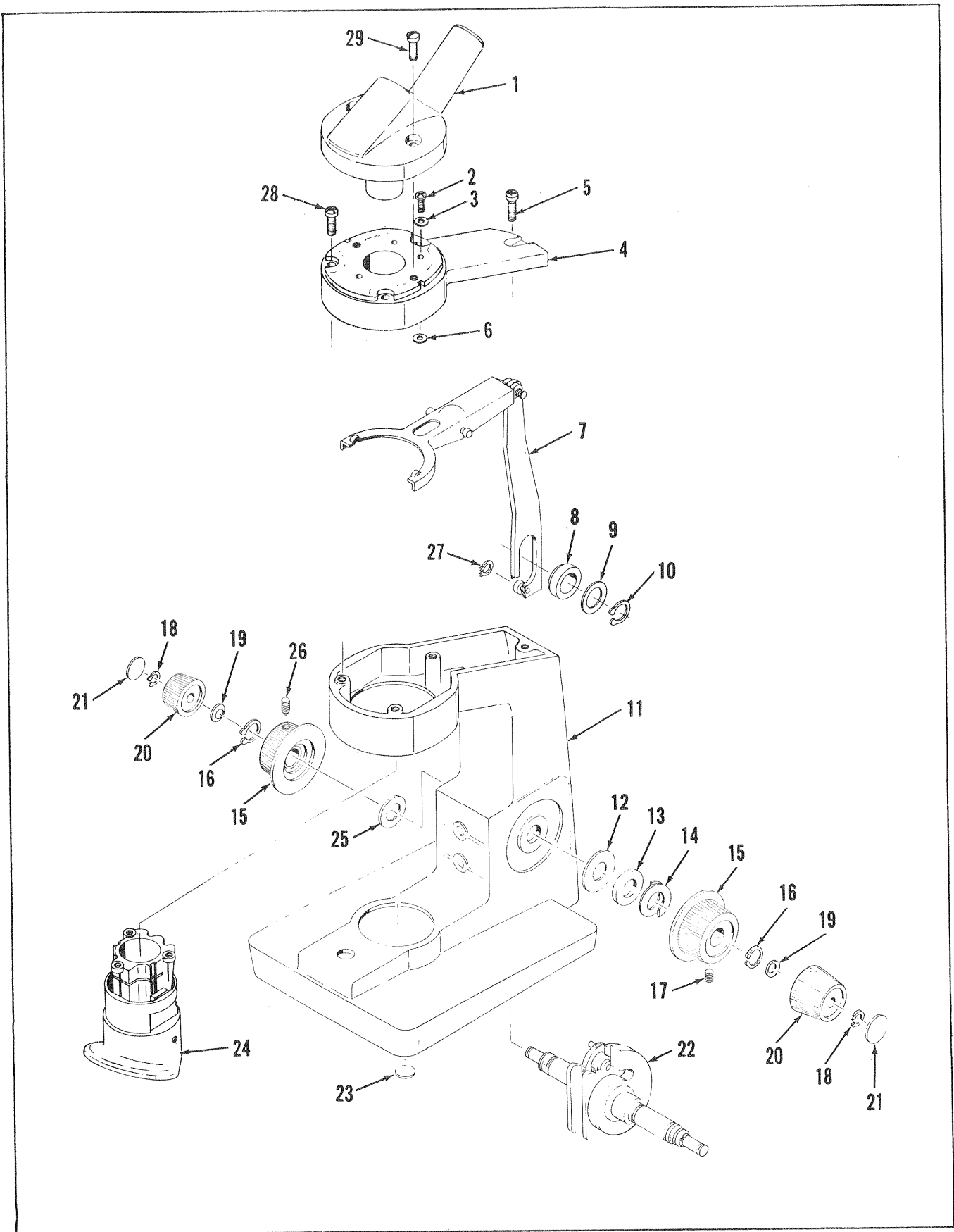


Figure 4. Stand

Figure 4. Stand

Index No.	Part No.	Description	Qty
1		Monocular Body Assembly (See figure 3 for breakdown)	1
2	X-29469	Screw	3
3	60-53	Washer	3
4	60-373	Cover, machined	1
5	X-27453-11	Screw	1
6	01030-1	Washer	3
7	60-876	Lever Assembly	1
8	32-19	Spacer	1
9	32-83	Washer	1
10	32-72	Retaining Ring	1
11	60-381	Arm	1
12	32-56	Washer	1
13	60-228	Washer	1
14	X-51623	Washer, lock	2
15	32-39	Knob, coarse adj.	2
16	X-50370	Retaining Ring	2
17	60-358	Setscrew	1
18	X50972	Retaining Ring	2
19	X-50584	Washer, spring	2
20	32-40	Knob, fine adj.	2
21	32-41	Disc	2
22	32-852	Coarse and Fine Adj. Assembly	1
23	2-52	Base Foot	4
24	60-873	Nosepiece & Sleeve Bearing (See figure 5 for breakdown)	1
25	32-55	Washer	1
26	60-357	Setscrew	1
27	X-51404	Retaining Ring	1
28	X-27863	Screw	3
29	X-32570-22	Screw	2

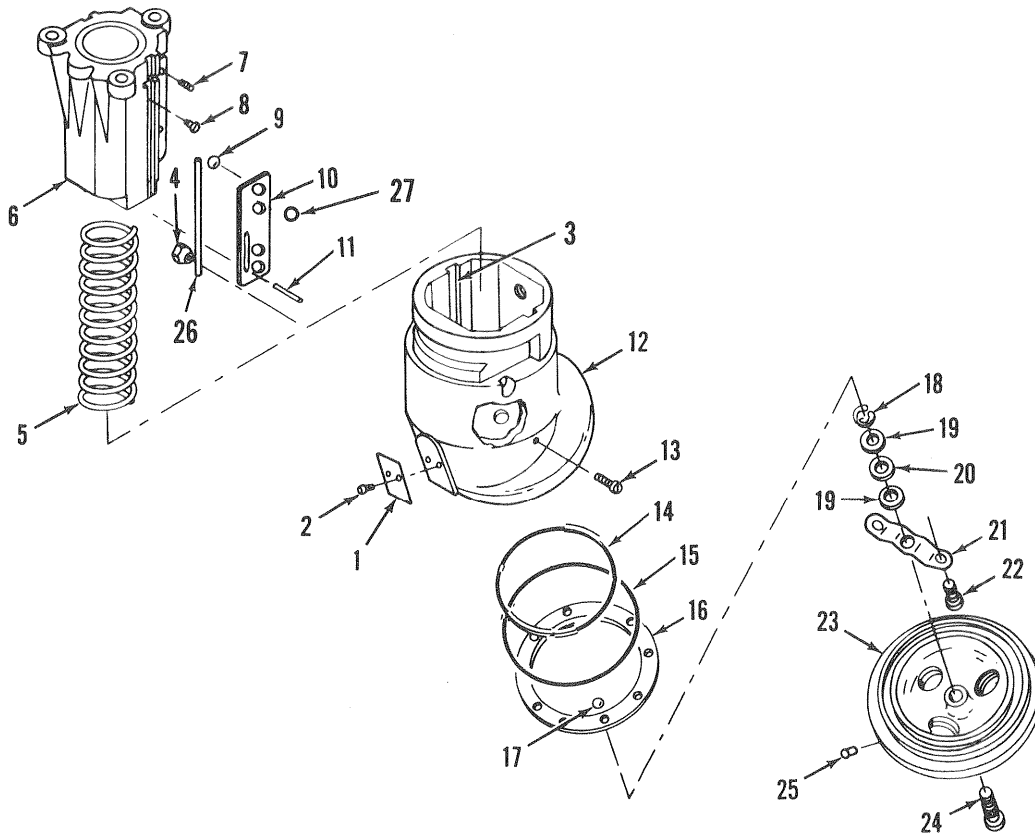


Figure 10. Nosepiece and Sleeve Bearing Assembly

Index No.	Part No.	Description	Qty
1	253-6	Spring, index	1
2	X-34590	Screw	2
3	60-41	Rod, bearing	4
4	60-32	Nut, taper	2
5	60-410	Spring	1
6	60-42	Bearing, sleeve	1
7	X-51578	Screw	2
8	63-39	Screw, rod	2
9	B-11040-339	Bearing, ball	8
10	60-29	Retainer, bearing	2
11	32-69	Pin, roll	2
12	60-385	Nosepiece, upper	1
13	X-738-2	Screw	2
14	60-36	Race, ball, inner	2
15	60-45	Race, ball, outer	2
16	60-40	Spacer, bearing	1
17	B35-14	Bearing, ball	10
18	B-3801-59	Ring, Truarc	1
19	60-53	Washer, retaining	2
20	60-54	Spacer, nylon	1
21	60-44	Retainer	1
22	60-20	Screw	2
23	32-46	Nosepiece, bottom, triple	1
24	60-142	Pin, nosepiece axle	1
25	X-10014	Pin	2
26	63-41	Rod Bearings	4
27	60-377	Ball	8