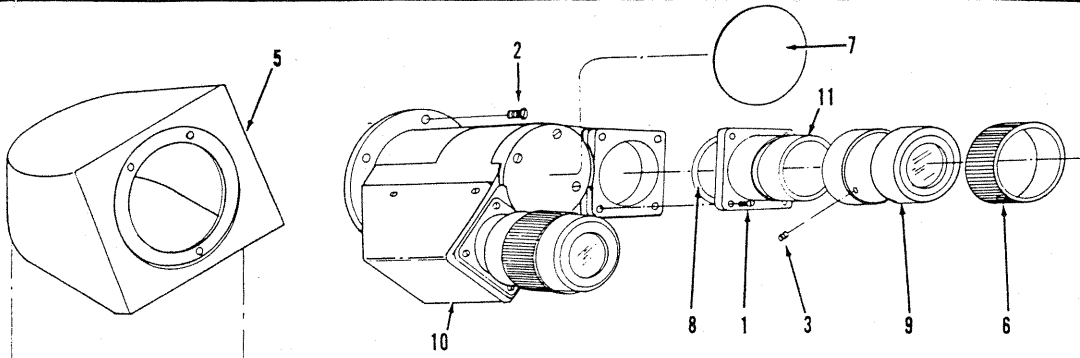
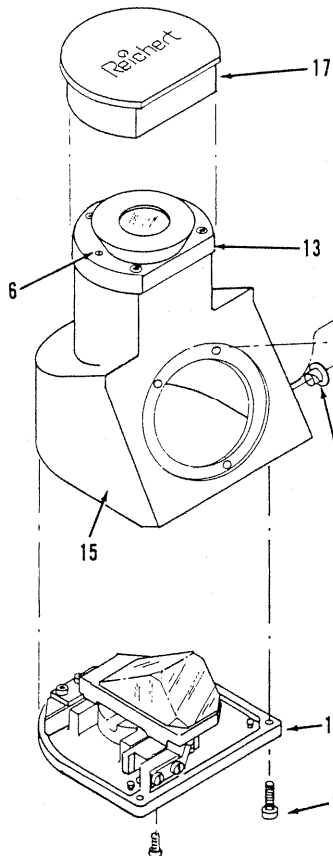


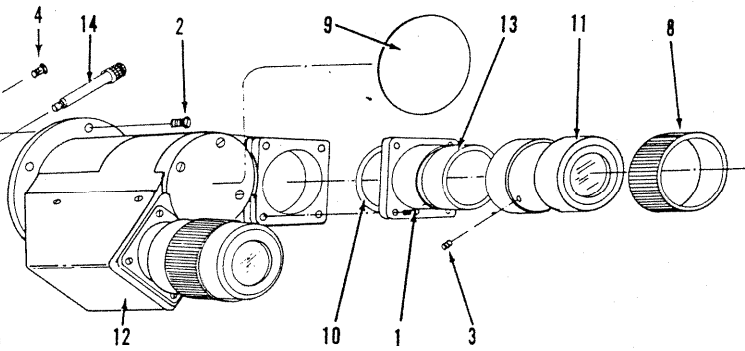
# Binocular Body No. 1942 — Parts List



Index No.	Part Number	Description	Quantity Per Assy.
1	0858-1	Screw	4
2	0867-1	Screw	3
3	X25706	Set Screw	2
4	1102-43	Screw	3
5	1942-2	Body Mount	1
6	1942-19	Rubber Grip	2
7	1942-20	Label	1
8	1942-25	Adjusting Washer	1
9	1942-30	Fixed Sleeve	1
10	1942-851	Body Assembly	1
11	1942-853	Fixed Eyetube Assembly	1
12	1942-854	Adapter & Prism Assembly	1



# Trinocular Body No. 1943 — Parts List



Index No.	Part Number	Description	Quantity Per Assy.
1	0858-1	Screw	4
2	0867-1	Screw	3
3	X25706	Set Screw	2
4	X38021	Screw	1
5	X53741	Nylon Liner Bearing	1
6	1092-7	Screw	1
7	1102-43	Screw	3
8	1942-19	Rubber Grip	2
9	1942-20	Label	1
10	1942-25	Adjusting Washer	1
11	1942-30	Fixed Sleeve	1
12	1942-851	Body Assembly	1
13	1942-853	Fixed Eyetube Assembly	1
14	1943-10	Knob Shaft	1
15	1943-851	Plug Assembly	1
16	1943-852	Adapter & Prism Assembly	1
17	1944-20	Protective Cap	1