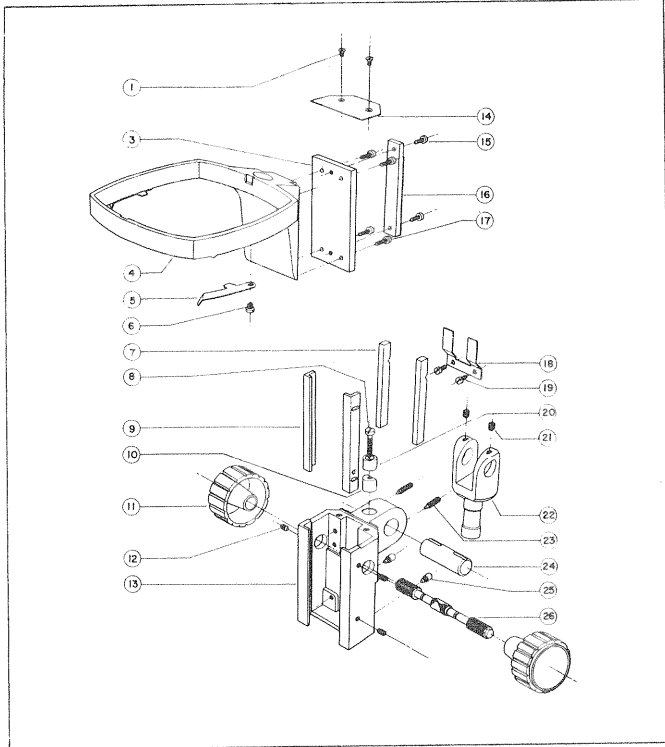


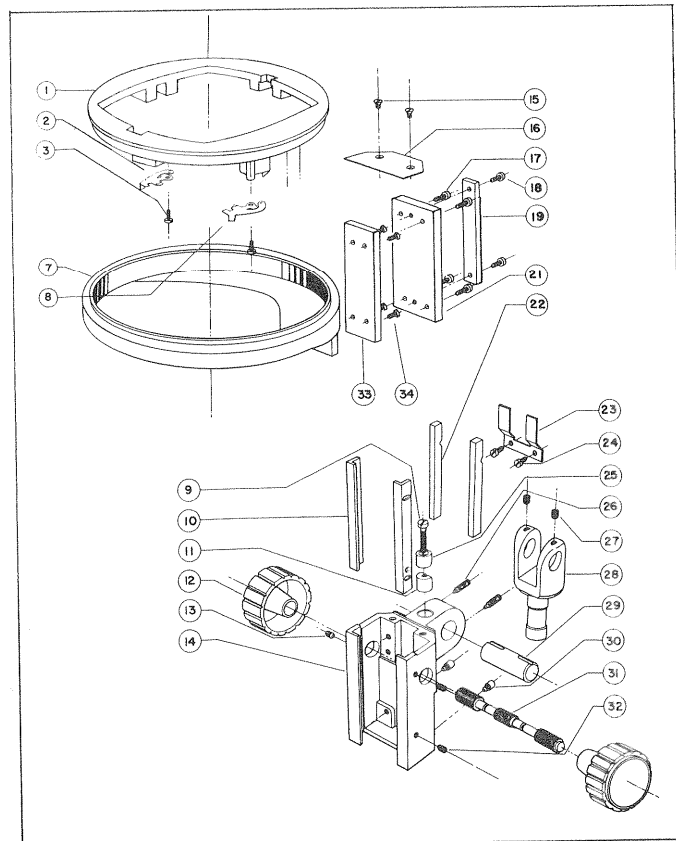
E (Stationary) Arm, Cat. No. 31-26-59

ER (Rotatable) Arm, Cat. No. 31-26-90



E (STATIONARY) ARM CAT. NO. 31-26-59

Key	Description	Part No.
1	4-48 x 1/4 lg Screw	312690-127ND
3	Upper Slide & Pin Assy	312690-141
4	Arm	312688-201
5	Lock Lever (right) (not exploded left)	312688-121 312688-122
6	SD-119 Screw	90047-182
7	Rear Gib	312690-121
8	10-32 x 3/4 lg Screw	312697-200ND
9	Front Gib	312690-122
10	Clamp Shoe "A"	312690-143
11	Knob Assy	312697-198
12	Gib Screw "A"	312688-198
13	Housing	312690-147
14	Cover	312690-148
15	SF-83 Screw	90049-120
16	Upper Rack	312689-106
17	8-32 x 3/16 lg Screw	312659-106
18	Spring	312659-105
19	4-48 x 1/4 lg Screw	312690-126ND
20	Clamp Shoe "B"	312690-144
21	10-32 x 3/75 lg Set Screw	312697-156ND
22	Joint & Stop Assy	312689-910
23	Gib Screw "B"	312690-142
24	Axle "A"	312697-190
25	Gib Screw	312690-139
26	Pinion	312690-132



ER (ROTATABLE) ARM CAT. NO. 31-26-90

Key	Description	Part No.
1	Body Bearing	312690-149
2	Lock Lever "A"	312690-134
3	8-32 x 3/16 lg Screw (2)	312690-145
7	Arm	312690-146
8	Lock Lever "B"	312690-135
9	10-32 x 3/4 lg Screw	312697-200ND
10	Front Gib	312690-122
11	Shoe Clamp "A"	312690-143
12	Knob Assy	312697-198
13	Gib Screw "A"	312688-198
14	Housing	312690-147
15	4-48 x 1/4 lg Screw	312690-127ND
16	Cover	312690-148
17	8-32F12T Screw (4)	97206-1826
18	F-83 Screw (2)	90049-120
19	Upper Rack	312689-106
21	Upper Slide	312690-141
22	Rear Gib	312690-121
23	Spring	312659-105
24	4-48 x 1/4 lg Screw	312690-126ND
25	Shoe Clamp "B"	312690-144
26	Gib Screw "B"	312690-142
27	10-32 x 3/8 lg Set Screw	312697-156ND
28	Joint & Stop Assy	312689-910
29	Axle "A"	312697-190
30	Gib Screw	312690-139
31	Pinion	312690-132
32	Gib Screw "A"	312688-198
33	Adapter	312690-134
34	4-40 x 1/4 Screw	312690-137